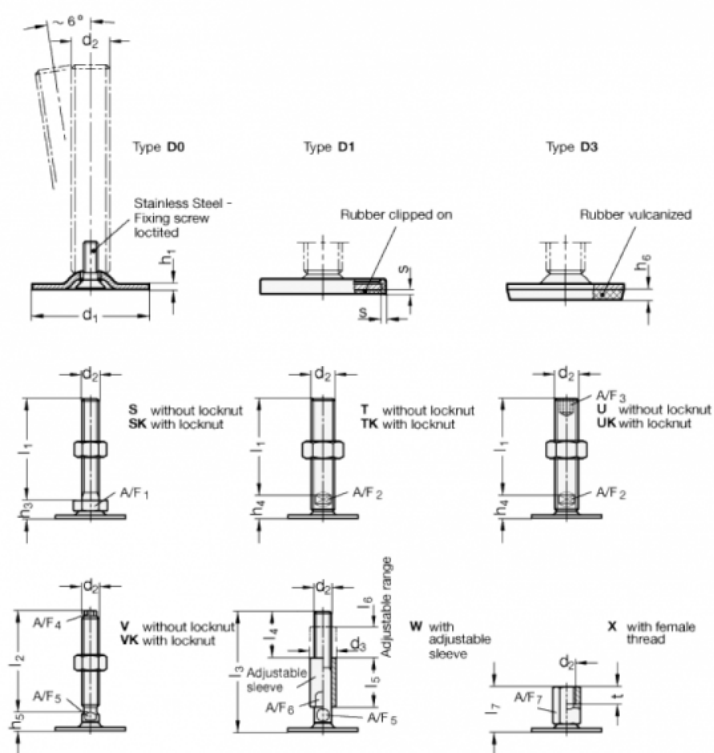


Article number: 204150M1637D1X
 Description: E+G levelling foot
 GN 41-50-M16-37-D1-X
 Note: X With female thread, External hexagon

Measures



A/F7 = 22
 d1 = 50
 d2 = M16
 h1 = 2.5
 h6 =
 l7 = 37
 s = 2
 t = 16